

Manhole Shields

4 in. Single and Double Wall Manhole Shields

Purpose:

Efficiency's 4 in. double sidewall Manhole Shields come with two specifically designed spreader sets. Spreaders on the MHXLD-CEP attach to the shield's sidewalls utilizing standard sized spreaders. Spreaders on the MHXLDW attached to the wrap-around end walls allowing for maximum inside clearance.

Common Applications:

- Pre-cast Manholes
- Sewer & Water Valves
- Gas and Electric Utility Structures

Collar & Spreader Options:

MHXLD-CEP

- 7 in. collar pipe for 8" schedule 80 spreaders (standard)
- Spreaders attach to sidewalls

MHXLDW

- 3¾ in. collar pipe for 4" schedule 40 spreaders (standard)
- 5 in. collar pipe for 6" schedule 80
- Spreaders attach to wrap-around end walls

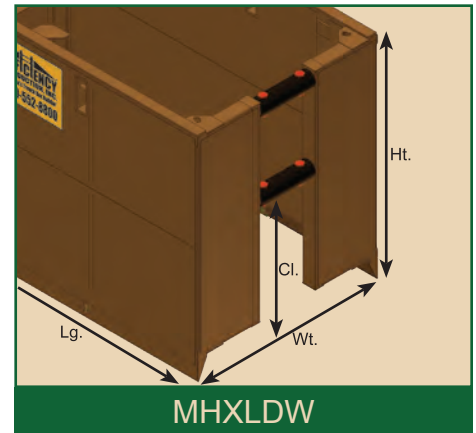
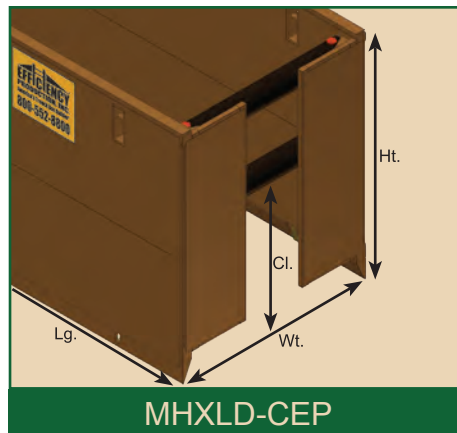
MHXLD-CEP & MHXLDW

- 4-pipe independent
- 5-pipe independent
- Custom collar sizes available

Trench Shield Nomenclature

MHXLD-CEP-810 (*Model-Ht.Lg.*) =
Manhole Xtra-Light
4 in. Double wall trench shield
with Corner End Plates;
8 ft. high, 10 ft. long

MHXLDW-810 (*Model-Ht.Lg.*) =
Manhole Xtra-Light
4 in. Double wall trench shield
with Wrap-around end walls;
8 ft. high, 10 ft. long



MHXLD-CEP 4 in. Steel Double Wall w/ CORNER END PLATE

Model (Ft.) <i>MHXLD-CEP-Ht.Lg.</i>	Weight (Lbs.)	Pipe Cl. (In.)	Shield Capacity		Depth of Cut (Ft.) Soil Type		
			(PSF)	(kPa)	B	C-60	C-80
MHXLD-CEP-48	2,605	22	2,520	126	56	42	31
MHXLD-CEP-410	2,965	22	2,280	114	51	38	28
MHXLD-CEP-412	3,400	22	1,920	96	43	32	24
MHXLD-CEP-414	3,755	22	1,200	60	27	20	15
MHXLD-CEP-416	4,145	22	1,200	60	27	20	15
MHXLD-CEP-88	5,070	52	2,220	111	45	37	28
MHXLD-CEP-810	5,740	52	1,980	99	41	33	25
MHXLD-CEP-812	6,760	52	1,680	84	35	28	21
MHXLD-CEP-814	7,470	52	1,440	72	29	24	18
MHXLD-CEP-816	8,150	52	1,320	66	27	22	16

MHXLDW 4 in. Steel Double Wall w/ WRAP AROUND Corner End Plate

Model (Ft.) <i>MHXLDW-Ht.Lg.</i>	Weight (Lbs.)	Pipe Cl. (In.)	Shield Capacity		Depth of Cut (Ft.) Soil Type		
			(PSF)	(kPa)	B	C-60	C-80
MHXLDW-48	2,855	22	1,320	63	29	22	16
MHXLDW-410	3,215	22	1,320	63	29	22	16
MHXLDW-412	3,650	22	1,320	63	29	22	16
MHXLDW-414	4,005	22	1,320	63	29	22	16
MHXLDW-416	4,395	22	1,320	63	29	22	16
MHXLDW-88	5,130	52	1,320	63	29	22	16
MHXLDW-810	5,840	52	1,320	63	29	22	16
MHXLDW-812	6,430	52	1,320	63	29	22	16
MHXLDW-814	7,300	52	1,320	63	29	22	16
MHXLDW-816	7,990	52	1,320	63	29	22	16