

XLDM



4 in. "Xtra Light" Double Wall Municipal Trench Shield

Purpose:

XLDM are lightweight 4 in. double sidewall steel trench shields that can be handled by backhoes and loaders. These shields are perfect for municipal infrastructure work ranging from sewer taps to water main repair.

Common Applications:

- Sewer & Water Valves
- Hydrants & Taps
- Spot Repairs
- Gas and Electric Utility

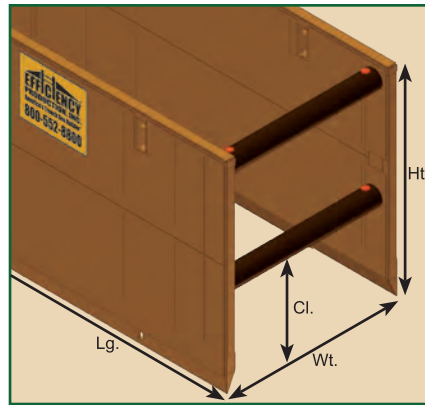
Collar & Spreader Options:

- 3¾ in. collar pipe for 4" schedule 40 spreaders (standard)
- 5 in. collar pipe for 6" schedule 80
- Custom collar sizes available

Features - Page 3

Shield Options - Page 4

Accessories - Page 5



Trench Shield Nomenclature

XLDM-610 (*Model-Ht.Lg.*) =
Xtra-Light Double wall
Municipal shield (with 4 in. sidewalls)
6 ft. high, 10 ft. long

Others sizes available upon request

Depth Rating derived by dividing Shield Capacity (PSF) by soil type rating, i.e. 1,200 PSF / C-60 = 20 Ft.

XLDM 4 in. Steel Double Wall Municipal Trench Shield

Model (Ft.) <i>XLDM-Ht.Lg.</i>	Weight (Lbs.)	Pipe Cl. (In.)	Shield Capacity		Depth of Cut (Ft.) Soil Type		
			(PSF)	(kPa)	B	C-60	C-80
XLDM-46	1,510	22	2,400	115	53	40	30
XLDM-48	1,810	22	2,400	115	53	40	30
XLDM-410	2,070	22	1,920	92	43	32	24
XLDM-412	2,350	22	1,680	81	37	28	21
XLDM-414	2,630	22	960	46	21	16	12
XLDM-416	2,960	22	840	40	19	14	10
XLDM-66	1,950	36	2,400	115	53	40	30
XLDM-68	2,250	36	2,400	115	53	40	30
XLDM-610	2,730	36	2,400	115	53	40	30
XLDM-612	3,120	36	1,800	86	40	30	22
XLDM-614	3,510	36	1,320	63	29	22	16
XLDM-616	3,980	36	960	46	21	16	12
XLDM-86	2,450	36	2,400	115	53	40	30
XLDM-88	3,251	36	2,400	115	53	40	30
XLDM-810	3,957	36	2,400	115	53	40	30
XLDM-812	4,547	36	1,680	81	37	28	21
XLDM-814	5,415	36	1,680	81	37	28	21
XLDM-816	6,082	36	1,380	81	30	23	17